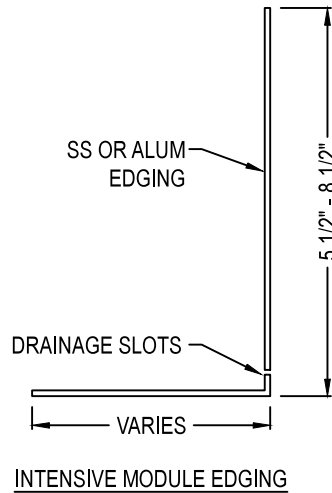
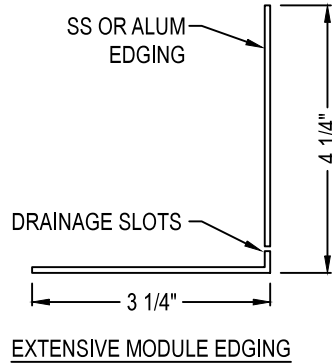




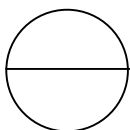
GREEN ROOF OUTFITTERS  
PHONE: (843) 364-7653  
www.greenroofoutfitters.com



OUR MODULAR SYSTEM IS THE MODERN METHOD OF INSTALLING GREEN ROOFS. THIS PROPRIETARY SYSTEM BLENDS ALL OF THE ENVIRONMENTAL AND ECONOMIC BENEFITS OF GREEN ROOFS WITH A SIMPLISTIC METHOD OF INSTALLATION AND LITTLE TO NO MAINTENANCE. THE MODULES CAN BE EASILY INSTALLED, MOVED TO ADDRESS ROOF MAINTENANCE ISSUES AND RE-ARRANGED TO MAKE DIFFERENT DESIGN PATTERNS. THIS FEATURE ALLOWS THE BUILDING OWNER TO START WITH ANY NUMBER OF MODULES AND EASILY ADD MORE MODULES AT A LATER DATE. THESE MODULES HAVE BEEN ENGINEERED SO THE PLANT VEGETATION CAN THRIVE IN THE GREATLY VARYING MICRO-CLIMATES OF A ROOF STRUCTURE.

NOTES:

1. INSTALLATION TO BE COMPLETED IN ACCORDANCE WITH MANUFACTURER'S SPECIFICATIONS.
2. DO NOT SCALE DRAWING.
3. THIS DRAWING IS INTENDED FOR USE BY ARCHITECTS, ENGINEERS, CONTRACTORS, CONSULTANTS AND DESIGN PROFESSIONALS FOR PLANNING PURPOSES ONLY. THIS DRAWING MAY NOT BE USED FOR CONSTRUCTION.
4. ALL INFORMATION CONTAINED HEREIN WAS CURRENT AT THE TIME OF DEVELOPMENT BUT MUST BE REVIEWED AND APPROVED BY THE PRODUCT MANUFACTURER TO BE CONSIDERED ACCURATE.
5. CONTRACTOR'S NOTE: FOR PRODUCT AND COMPANY INFORMATION VISIT [www.GreenRoofOutfitters.com](http://www.GreenRoofOutfitters.com)



## 1' X 2' TRAY APPLICATIONS

STANDARD EDGING, 1' X 2' TRAY